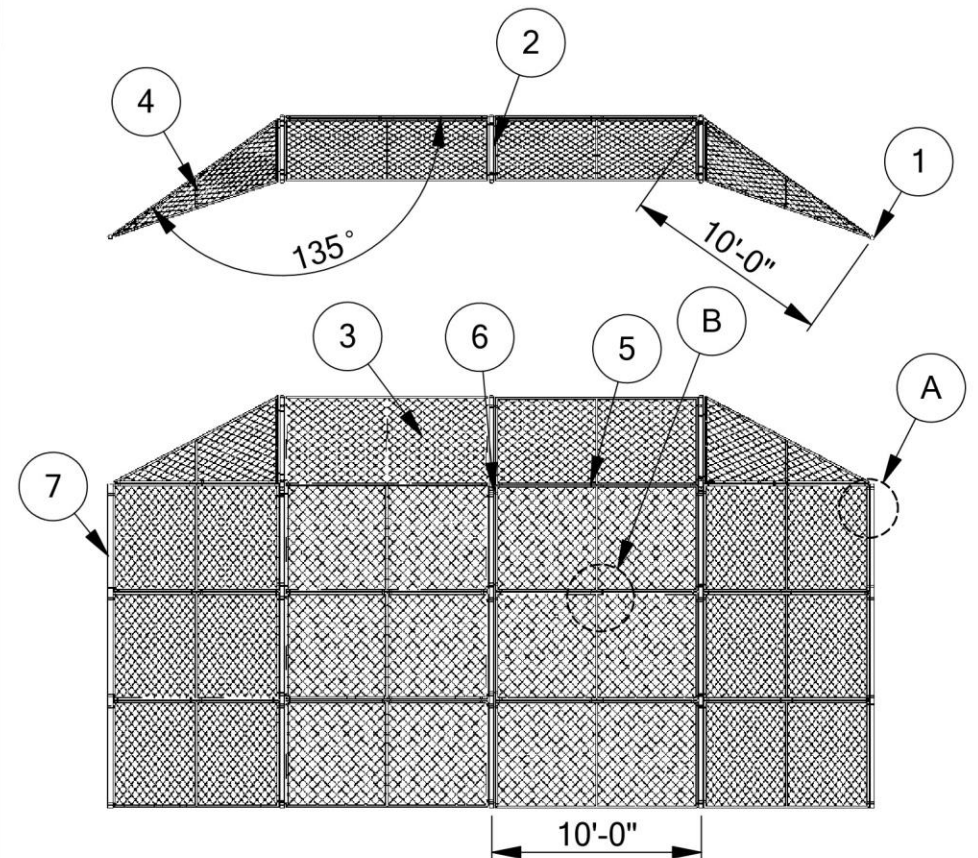
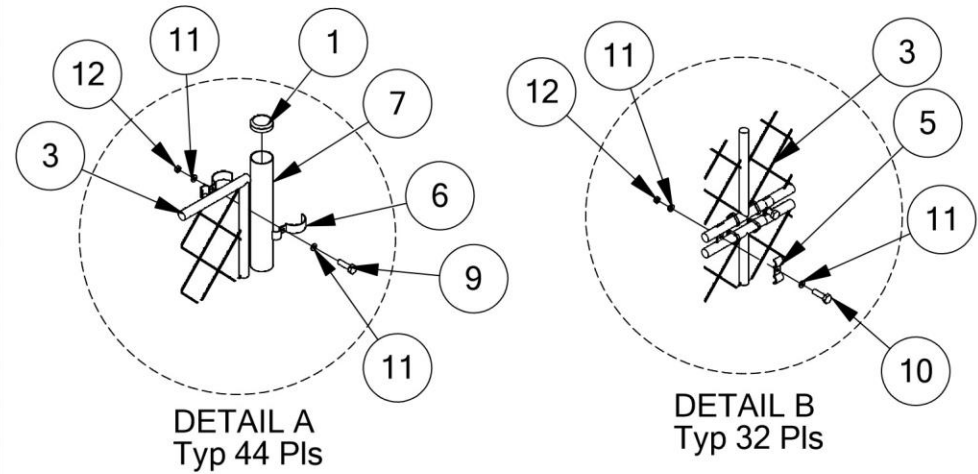




# BASEBALL BACKSTOP WITH HOOD

551-421

ITEM NO.	PART NUMBER	DESCRIPTION	QTY.
1	105-017	2-3/8" Pipe Plugs	5
2	553-204	Hood Supports	3
3	553-351	Panels	10
4	553-352	Panels	1Pr.
5	555-511	1" x 11" Saddle Clamps	32Pr.
6	555-512	1" x 2-3/8" Saddle Clamps	44Pr.
7	553-602	2-3/8" OD Gal. Pipe 13'	5
8	196-803	1/2" x 3/4" Socket Set Screws	3
9	126-505	5/16" x 1-1/4" Carriage Bolts	88
10	116-504	5/16" x 1" Hex Bolts	32
11	326-501	5/16" Lock Washers	120
12	216-501	5/16" Hex Nut	120
13	416-400	1/4" Socket Key	1



**\*IMPORTANT\***

Please retain this instruction sheet in your files. It contains important maintenance instruction, as well as replacement parts information.



## BASEBALL BACKSTOP WITH HOOD

551-421

### TOOLS NEEDED FOR THE JOB:

Post Hole Digger  
Level  
18-80lb Bag of Pre-Mix Cement

### MAINTENANCE:

Check periodically for loose bolts, broken parts and replace them immediately.

### GENERAL ASSEMBLY INSTRUCTIONS:

1. Check each piece carefully and remove any sharp projections that may have been caused by shipping.
2. DO NOT Tighten nuts more than hand-tight until the entire assembly is completed.
3. All threaded ends of bolts protruding beyond nuts should be cut off and peened over to remove sharp edge.

### SPECIFIC ASSEMBLY INSTRUCTIONS:

1. Mark and dig footing holes as shown on page one.
2. Assemble one center section of backstop on ground with bottom of upright posts at the front edge of the footing holes.
3. Hand-tighten all bolts securely.
4. Raise assembly into position in footing holes.
5. Assemble each additional section in a similar manner. Raise and attach to sections already in place.
6. (For 551-421 model only) Add hood sections.
7. Plumb and level backstop. Tighten all bolts securely.
8. Pour footings. Place bricks or old cement chucks below the post to allow wet cement under the post.
9. Allow 48 hours to allow cement to dry before using equipment.