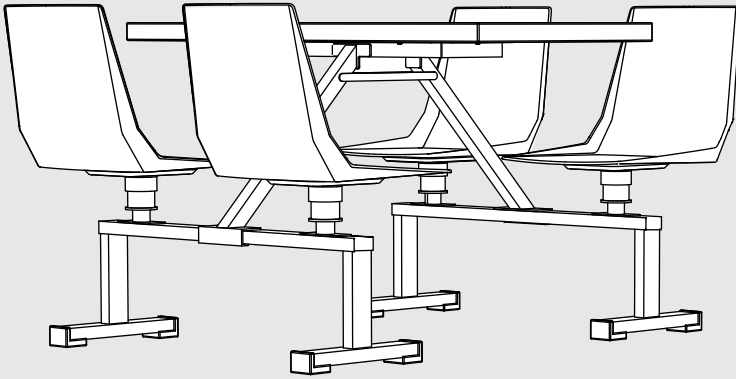


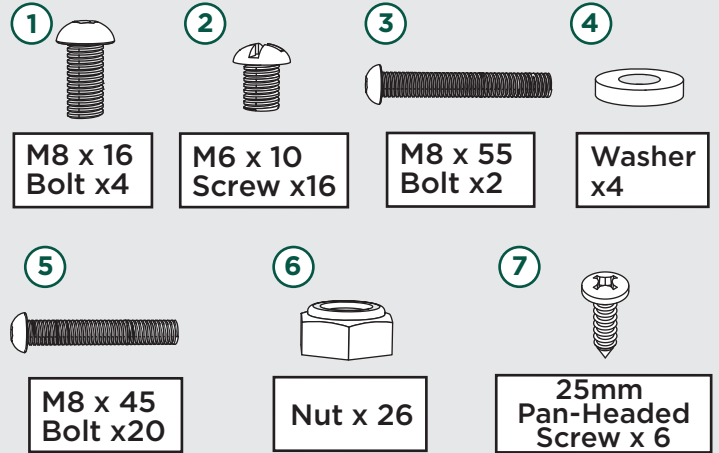
# ASSEMBLY INSTRUCTIONS

CLUSTER SWIVEL BOOTH SERIES | MOBILE TABLE

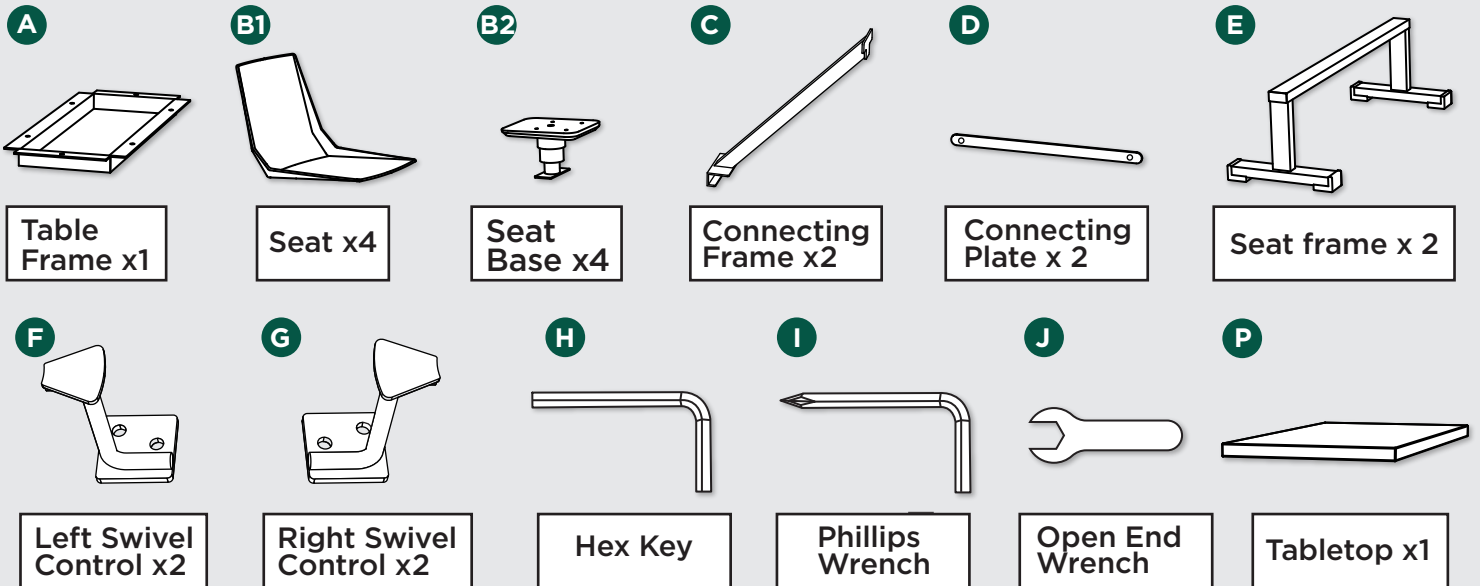
## CLUSTER SWIVEL BOOTH



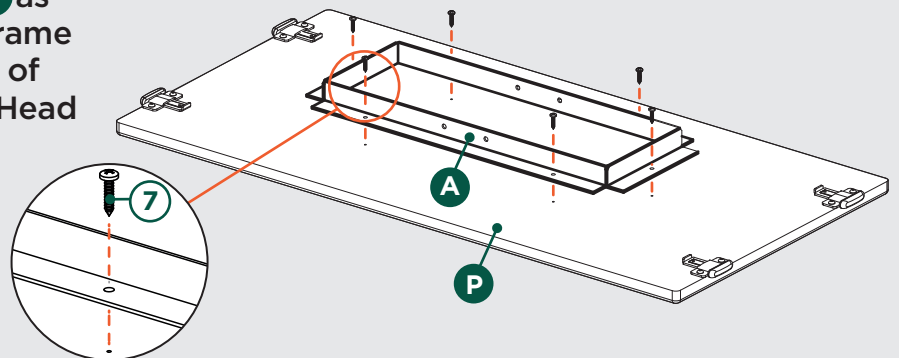
## HARDWARE



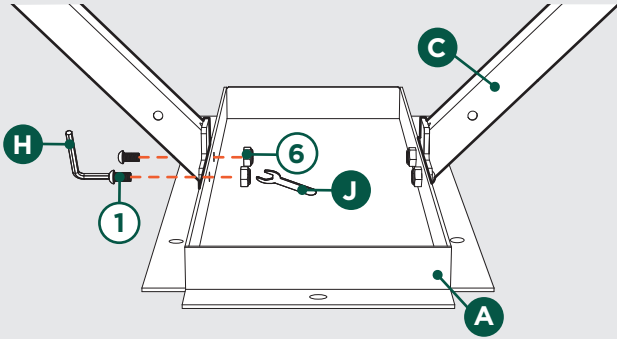
## PARTS AND ACCESORIES



**1** Install Table Frame **A** to Tabletop **P** as follows: Begin by aligning the six Frame holes over pilot holes on underside of Tabletop. Using the six 25mm Pan-Head Screws **7**, tightly fasten Screws to Tabletop.

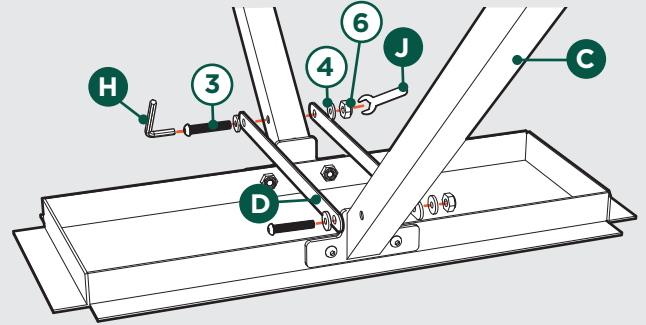


- 2** Align the holes on the flat side of two connecting Frames **C** with the holes on the Table Frame **A**. Insert four M8 x 16 bolts **1** and tighten with four Nuts **6** using enclosed Hex Key **H** and Open End Wrench **J**.



**!** Don't fully tighten the Bolts until you make sure that the main structure is level with the ground at Step 4.

- 3** Align the holes on two Connecting Plates **D** with the holes on two sides of Connecting Frames **C**. Insert two M8 x 55 Bolts **3** through four Washers **4** and tighten with two Nuts **6** using enclosed Hex Key **H** and Open End Wrench **J**.

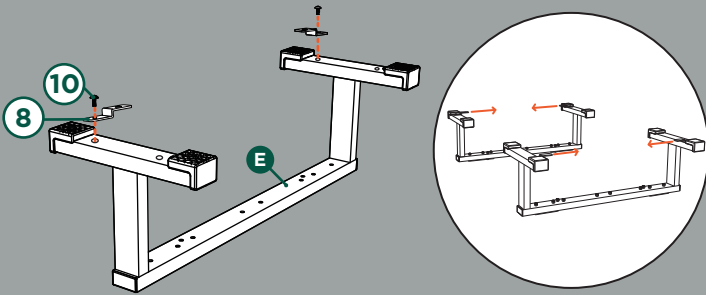


**!** Don't fully tighten the Bolts until you make sure that the main structure is level with the ground at Step 4.

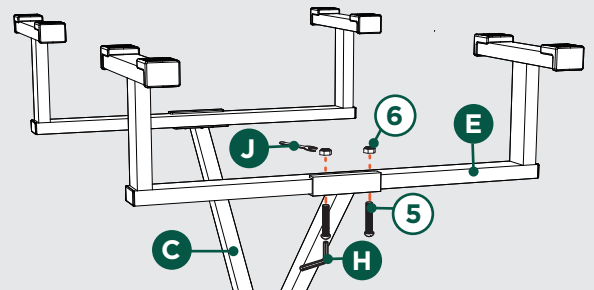
**FOR UNITS USING OPTIONAL FLOOR CONNECTORS ONLY.**

If not using Optional Floor Connectors, skip this Step and continue to Step #4.

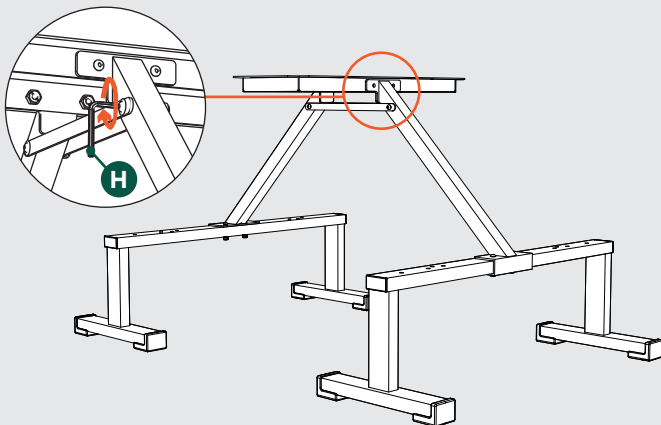
- 1** Place Seat Frame **E** upside down on a flat and clean surface. Align the hole on the Fastening Plate **8** with the hole on the bottom of the Seat Frame, insert Screw **10** and tighten with the included Phillips-Head Screwdriver **I**, making sure that the Fastening Plate is facing inward (as shown) before tightening.



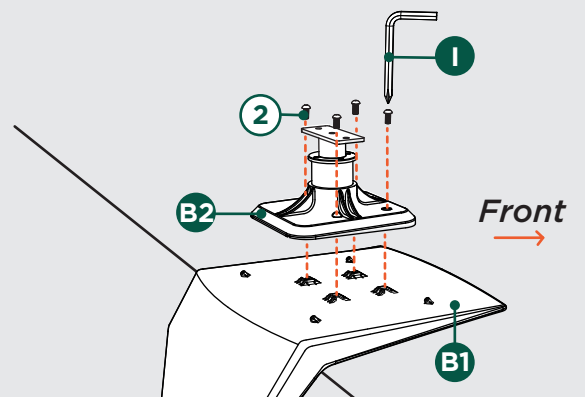
- 4** Fasten Seat Frame **E** into the mouth of Connecting Frame **C**. After aligning holes to holes on seat frame, insert two M8 x 45 Bolts **5** and tighten with two Nuts **6** using Enclosed Hex Key **H** and Open End Wrench **J**.



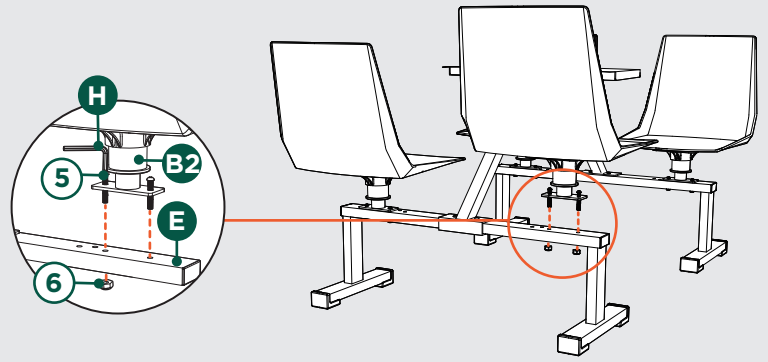
- 5** Make sure that four Legs touch the ground evenly and then tighten the Bolts within Step 1 and 2.



- 6** Place Seat **B1** downward on a flat and clean surface. Note that the arrow on Seat Base **B2** should point forward. After aligning the holes, insert four M6 x 10 Screws **2** and tighten them using enclosed Phillips Wrench **I**.

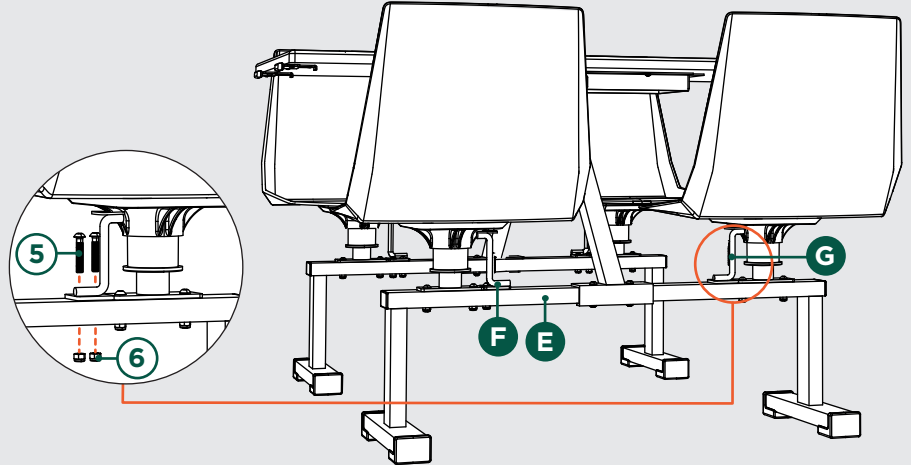


- 7** Align the holes on Seat Bases **B2** with the holes on Seat Frames **E**. Insert two M8 x 45 Bolts **5** and tighten with two Nuts **6** using Enclosed Hex Key **H** and Open end Wrench **J**.



## OPTIONAL SWIVEL CONTROL

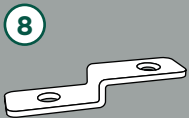
Turn Seat **B** straight ahead. Place Swivel Control-L **F** at the Left hand side and Swivel Control-R **G** at the Right hand side and align the holes to holes on Seat Frame **E**. Insert two M8 x 45 Bolts **5** and tighten with two Nuts **6** using Enclosed Hex Key **H** and Open End Wrench **J**. Rotate the seats to make sure all of them turn outward.



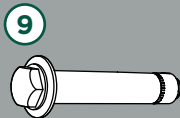
## FLOOR CONNECTION

Follow below steps for for unit with optional Floor Connectors (STEP 1 in Page 2).

### HARDWARE



Fastening Plate x4

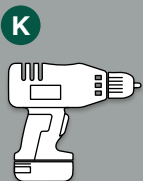


Expansion Bolt x4

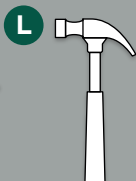


Screw x4

### RECOMMENDED TOOLS



Drill



Hammer



Dust Blowing Ball

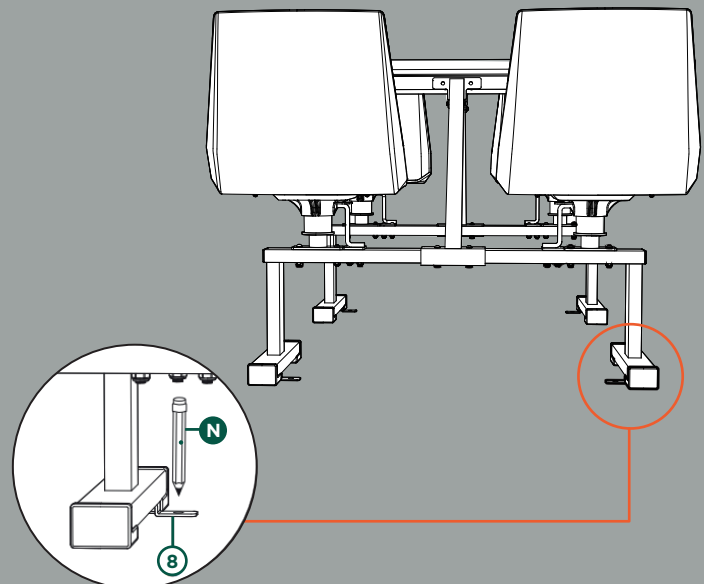


Pencil

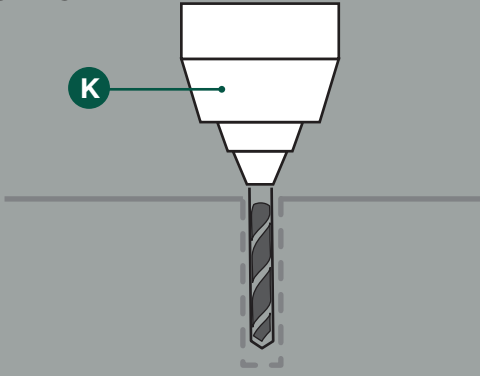


Wrench

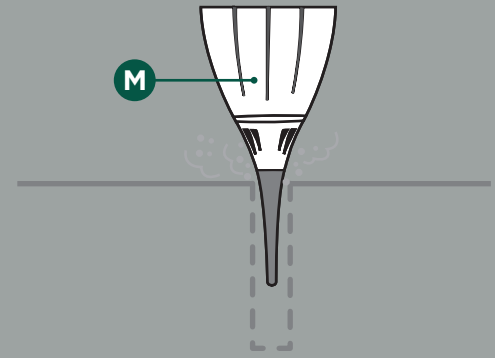
- 2** After placing the Cluster Swivel Booth to the position where you are going to fix, mark four holes of Fastening Plate **8** by Pencil **N** on the floor.



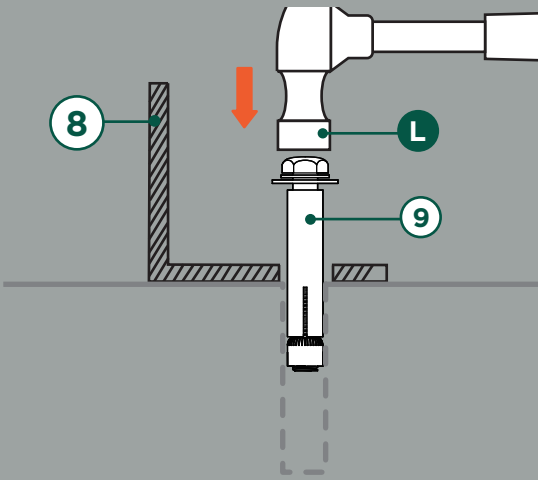
**3** Drill the marked holes using electric Drill **K** with 3/8 Drill bit to a depth of 75mm.



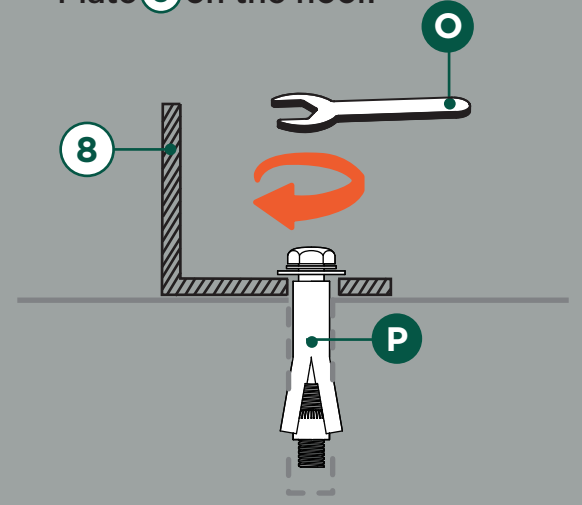
After drilling, clear out the dust from the holes using dust Blowing Ball **M**.



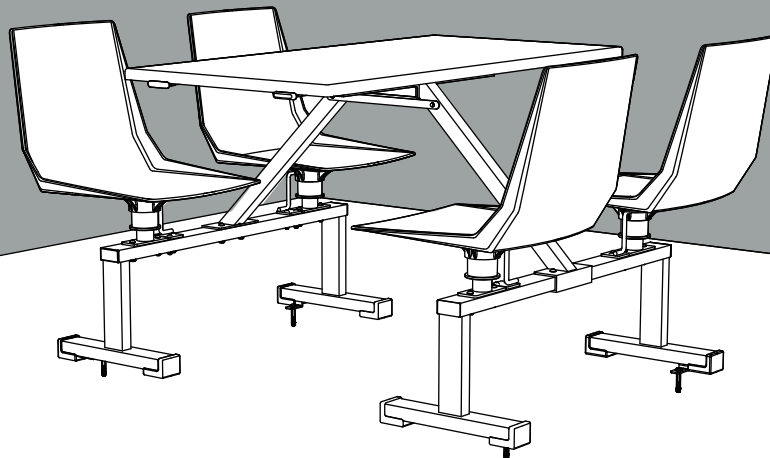
**4** Align the holes on Fastening Plate **8** with the holes on the floor. Knock Expansion Bolt **9** into the hole using Hammer **L**.



**5** Tighten Expansion Bolt **9** using Wrench **O** to fix Fastening Plate **8** on the floor.



## OPTIONAL FLOOR CONNECTION-ASSEMBLY COMPLETED



**Double check all Bolts and Screws to be tightened securely before use. Check all Bolts and Screws periodically. Failure to completely tighten the Bolts and Screws may result in tipping and possible injury!**

**Congratulations, your Cluster Swivel Booth with Floor Connection is now assembled and ready to be used!**

*Dear Customer, Thank you for your purchase. Although extreme care goes into manufacturing & packaging of this product, mistakes are possible. If you encounter any missing parts or difficulty in assembly, please contact our customer service.*