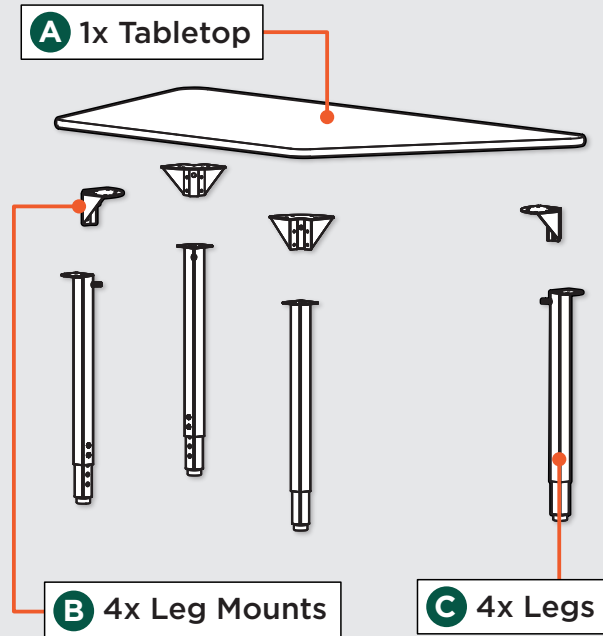


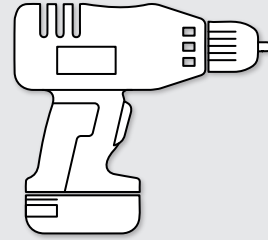
ASSEMBLY INSTRUCTIONS

HDT ACTIVITY TABLES

TABLE COMPONENTS



TOOLS FOR ASSEMBLY

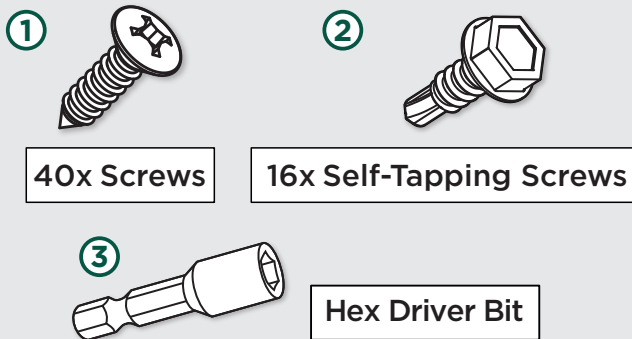


Drill

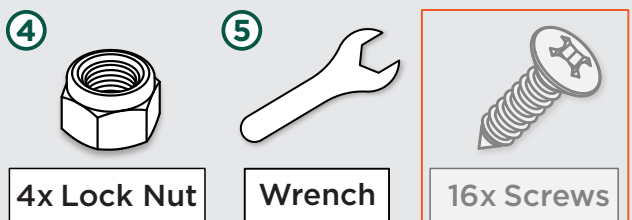
- 1 Place the Tabletop **A** on a clean, flat surface with the pre-marked holes facing upwards.

INCLUDED HARDWARE

Included in this Box

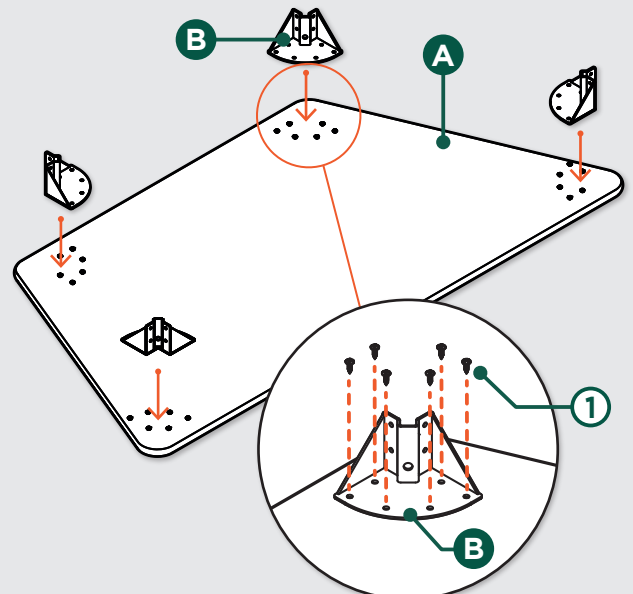


Included in Leg Box

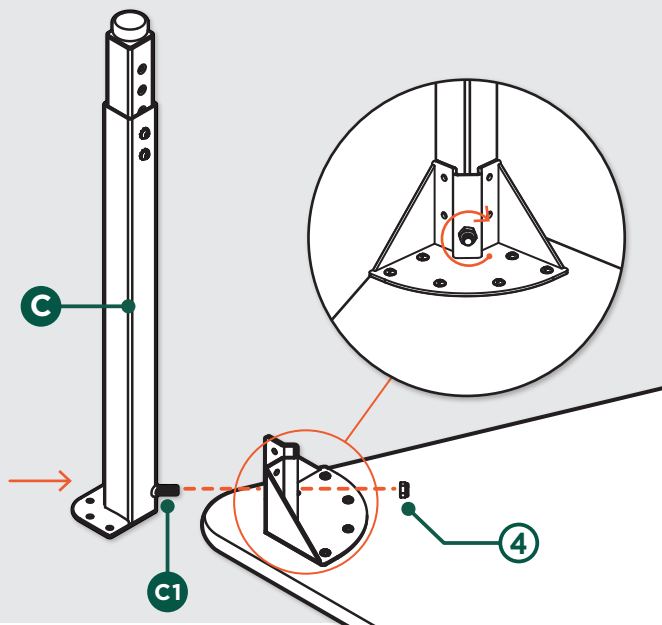


Note: Discard the Screws Included in the Legs Box and Only Use the Screws Included with the Leg Mounts.

- 2 Align the Leg Mounts **B** with the pre-marked holes and secure each Leg Mount to the tabletop using 6 Screws **1**.

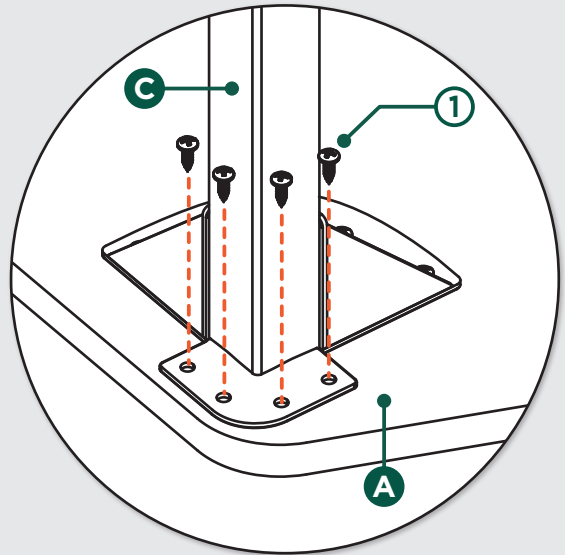


- 3** Fasten each Leg **C** onto Leg Mount **B** by inserting the leg's hanger bolt **C1** into hole of Leg Mount. Then secure each leg using the included Wrench **5** and Lock Nut **4**.



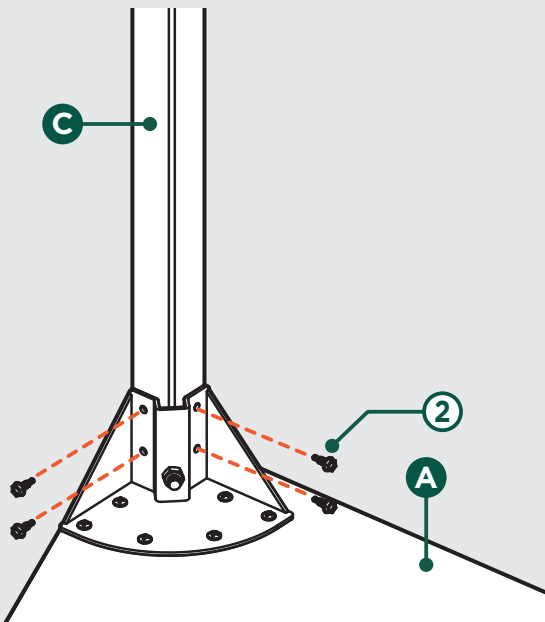
- 4** Secure the Legs **C** to the Tabletop **A** by installing four Screws* **1** through each Leg plate.

Ensure to utilize screws **1 and not the ones that come with the leg box.*

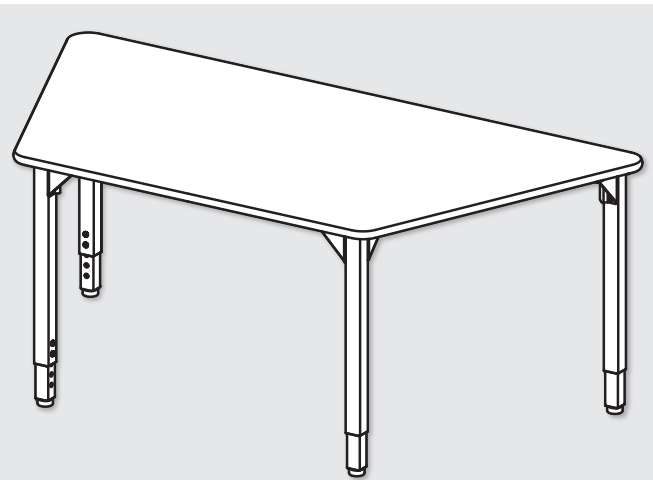


! Ensure that all screws are fastened tightly.

- 5** Drive 4 Self-Tapping Screws **2** through the holes in the Leg Mount **B** into each leg **C** by using the Included Hex Driver Bit **3**.



! Ensure that all screws are fastened tightly.



! Double check all screws/bolts to be tightened securely before use. Check all screws/bolts periodically. Failure to completely tighten the screws/bolts may result in tipping and possible injury!

Congratulations, your Heavy Duty Activity Table is now assembled and ready to be used!

Dear Customer, Thank you for your purchase. Although extreme care goes into manufacturing & packaging of this product, mistakes are possible. If you encounter any missing parts or difficulty in assembly, please contact our customer service.