

**⚠ WARNING**

Use caution operating table without stools installed. Table lift is assisted via an internal torsion lift system. The table may be slightly harder to operate until the stools are installed. Also, the table may close quicker from the 2/3d's cleaning position to the folded stored position.

(Please contact customer service with any installation questions)

**Hardware included for each stool: Tools Required:**

- |                                     |                                      |
|-------------------------------------|--------------------------------------|
| (1) Serrated hex head bolt.         | (1 or 2) 13mm (1/2") Ratchets.       |
| (1) Serrated nylon insert lock nut. | (1 or 2) 13mm (1/2") Box wrenches.   |
|                                     | (1) Cordless drill with 13mm socket. |

**Time Required to Install:** (1) minute/stool. Time may be longer at first due to learning curve until assembly process is better understood.

**STEP #1 - Unpack and Inspect:** (See Figure #1)

Inspect the stools for any shipping damage to the top or support ribs underneath. Make sure the hardware is with the stools.

**STEP #2 - Install Stool to Leg Upright:** (Figures #1-3)

**1) INSTALL STOOLS ONTO CENTER / MIDDLE LEGS FIRST:**

Slide stool stem onto tube until the holes in the stool line up with the leg upright. Occasionally you may need to spin the stool on. Very rarely grease may be needed if the stool is tight when installing.

**2) INSTALL STOOLS ONTO END LEGS SECOND:** Some tables will require table to be opened to the 2/3rd's position to install stool. Fold table back to the locked storage position to install hardware. Repeat STEP #1.

**\*\*METS & MTR60S & COMBO TABLES:** Install stool spacers in stool stem before putting stool onto tube. (See Figure #2)

**3) INSTALL BOLT INTO STOOL STEM AND TUBE.** Slide one bolt through stool, both sides of tube, and through the opposite side of stool. (Install bolts so heads face out when the table is folded).

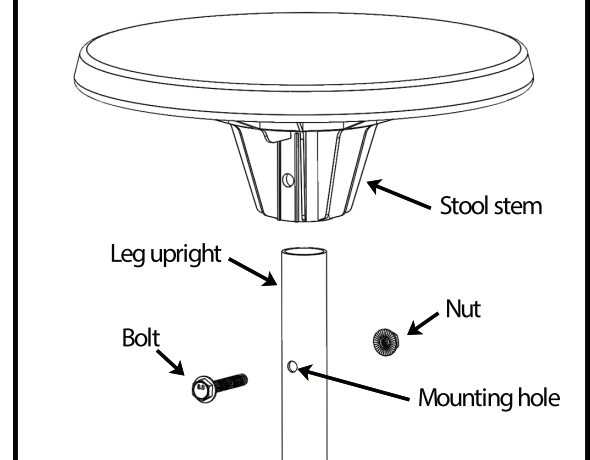
**4) HAND TIGHTEN** the lock nut to the bolt.

**5) FASTEST WAY - USE TOOLS TO TIGHTEN** bolt/nut with (1) wrench & drill. Tighten with (2) wrenches until stool no longer rotate/wiggles. **It's OK to tighten down very hard.**

**STEP #3 - Inspect All Stools and Test Table:**

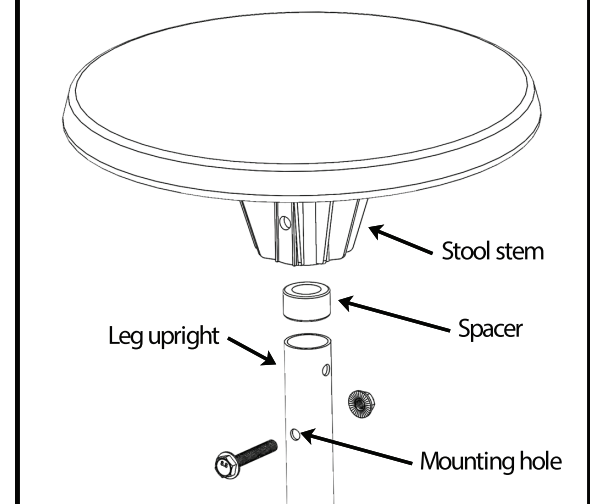
- 1) Check that all stools hardware are installed properly.
- 2) Be sure the bolt/nut are installed tight so the stools do not rotate when holding and turning like a steering wheel.
- 3) Open/close the table to be sure it operated properly.

**Figure #1: Stool Assembly Explosion**



**Figure #2: Stool Assembly Explosion**

(Elliptical & round stool & combo stool/bench tables)



**Figure #3:**

(MTS12 Folded Shown)

1) Install middle and center stools first. Install bolts so the head faces out when the table is folded.

2) Open table slightly to slide stools onto end leg uprights. Fold back to locked storage position to install hardware.

