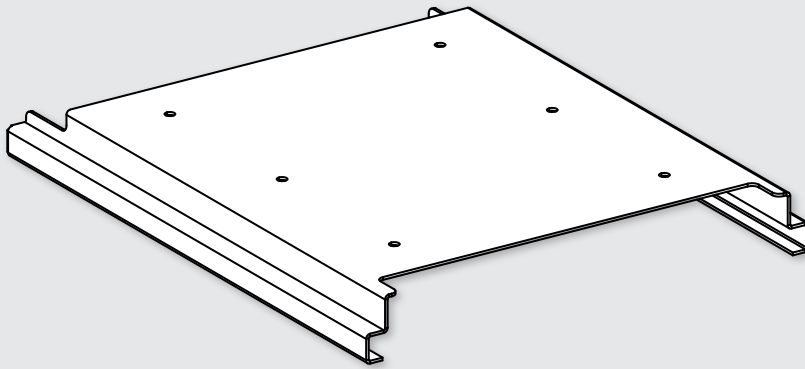


# ASSEMBLY INSTRUCTIONS

## TOTE TRAY HOLDER

### PARTS

Tote Tray Holder

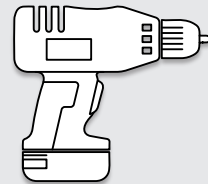


### INCLUDED HARDWARE



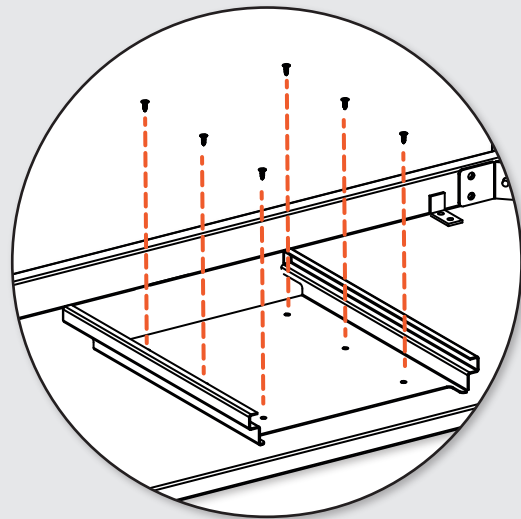
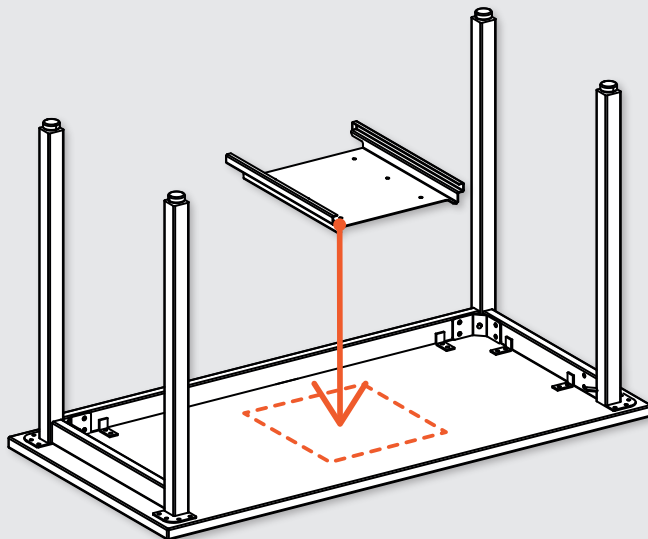
6x Screws

### TOOLS FOR ASSEMBLY



Drill

- 1 Place the Tote Tray Holder in the desired location and secure it to the tabletop by driving 1 screw through each hole.



**Congratulations, your Tote Tray Holder is now assembled and ready to be used!**

*Dear Customer, Thank you for your purchase. Although extreme care goes into manufacturing & packaging of this product, mistakes are possible. If you encounter any missing parts or difficulty in assembly, please contact our customer service.*