



MOTIV® SOFT SEATING

Motiv is an awesome line of soft seating designed & manufactured specifically for schools. Built on solid wood frames with dense foam cushioning & durable textiles, this soft seating can survive the rigors of everyday school use while still looking great. With a multitude of sizes, styles, & colors to choose from, Motiv is the perfect solution for flexible & comfortable learning spaces.

FEATURES

CONSTRUCTION

Reinforced wood inner frame with high-density foam cushioning. 18" models include steel legs, 15" models include poly tapered legs, and 12" models include poly glides.

SIZES

All models include many different designs in the following sizes:

- 12" Seat height
- 15" Seat height
- 18" Seat height

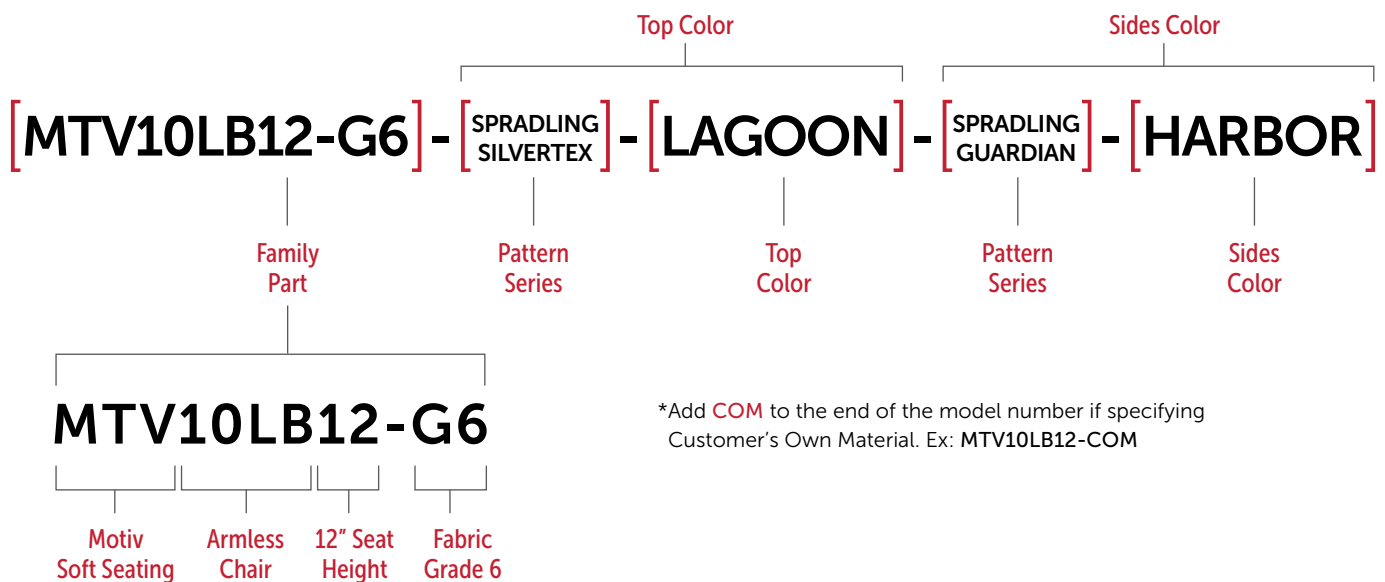
TEXTILES

All Motiv models are available in a wide array of textiles from several different manufacturers. Choose from different colors, patterns, textures, & combinations.



CONFIGURING A MODEL NUMBER

Refer to the Model Numbers & Product Specs section for a list of all family part model numbers in this product line. Use the chart below as a reference for how to properly specify this product.





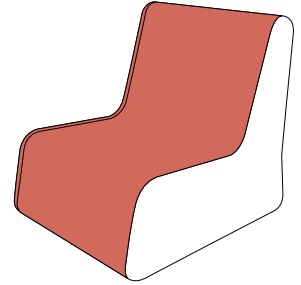
COLOR & FINISH OPTIONS

STEP 1 PATTERN SERIES TOP COLOR

Use the name of the textile color as the key code for **STEP 1**

Color placement varies depending on the model. Go to paragoninc.com/motiv-school-soft-seating for fabric placement charts.

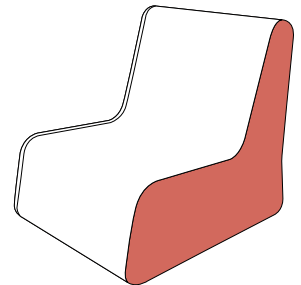
All 18" models are available with Titanium color legs only.



[FAMILY PART] - [PATTERN SERIES] - [TOP COLOR]

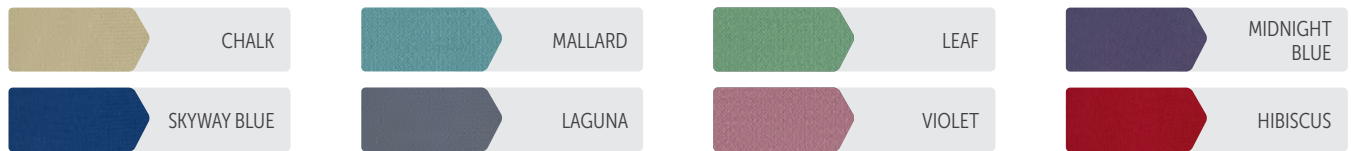
STEP 2 PATTERN SERIES SIDES COLOR

Use the name of the textile color as the key code for **STEP 2**

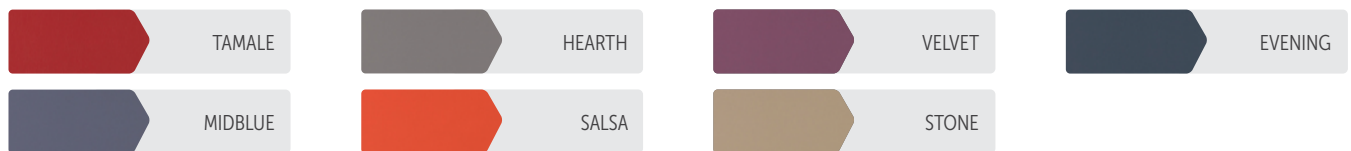


[FAMILY PART] - [PATTERN SERIES] - [TOP COLOR] - [PATTERN SERIES] - [SIDES COLOR]

○ MAYER QUATTRO PATTERN SERIES



○ CF STINSON LARA PATTERN SERIES



MOMENTUM EVO CV PATTERN SERIES



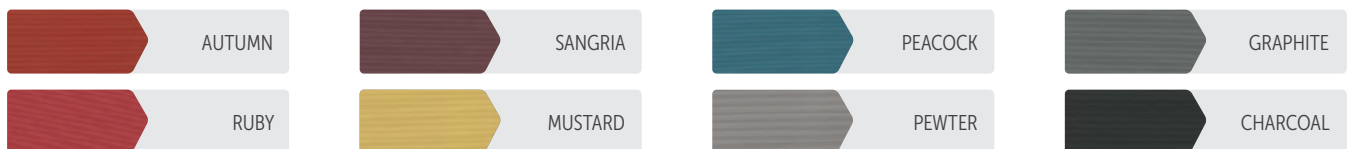
MOMENTUM TRIBECA CV PATTERN SERIES



MOMENTUM VANGUARD CV PATTERN SERIES



SPRADLING EDGELINE PATTERN SERIES



SPRADLING SILVERTEX PATTERN SERIES



GRADED-IN PROGRAM

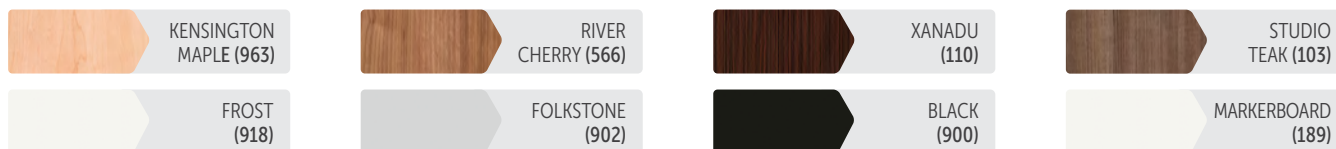
Soft seating is also available in hundreds of additional textiles through our graded-in program.

Scan the QR code or visit paragoninc.com/textiles for details.

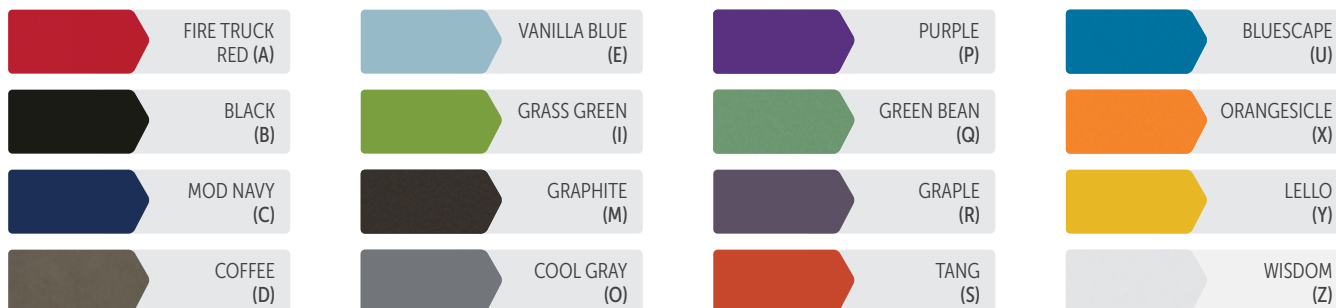
If you have a custom fabric you'd like to use, we also offer a COM option. Contact us for additional information.



LAMINATE WOOD SURFACES



EDGE COLORS FOR LAMINATE SURFACES

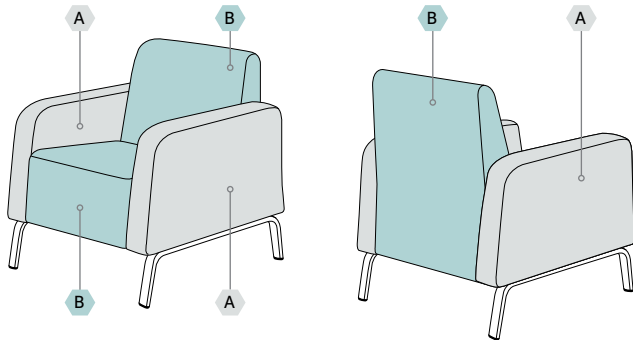


Motiv Bench
with Laminate
Surface

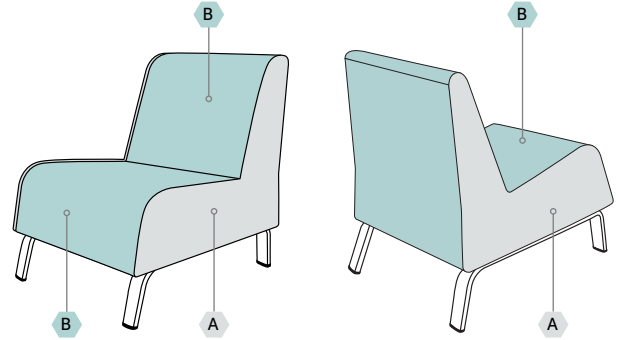
MOTIV® SEATING FABRIC LOCATION

Please see the diagram below and list fabric choice in accordance to desired location.

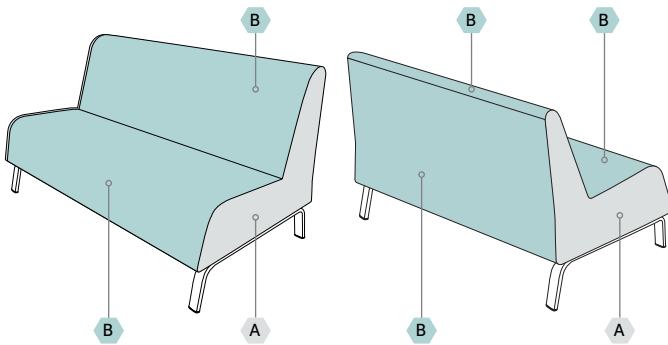
ARMED CHAIR A Arms B Back



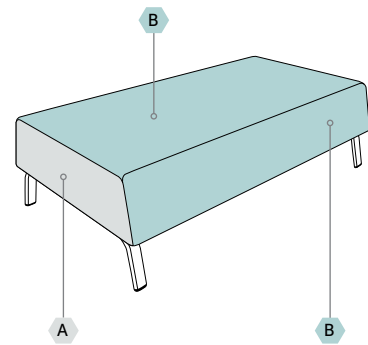
ARMLESS CHAIR A Sides B Seat, Back



ARMLESS SOFA A Sides B Seat, Back

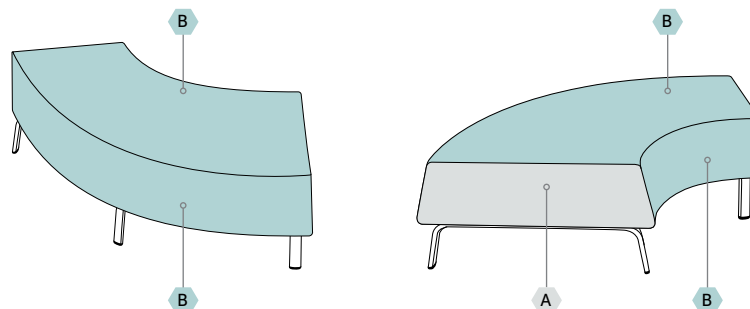


18" BENCH A Sides B Top, Front, Back



60° & 90° BENCHES

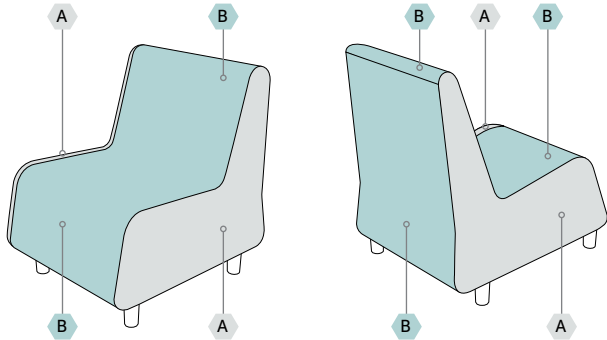
A Sides B Fabric or Laminate Top, Front, Back



MOTIV 2.0

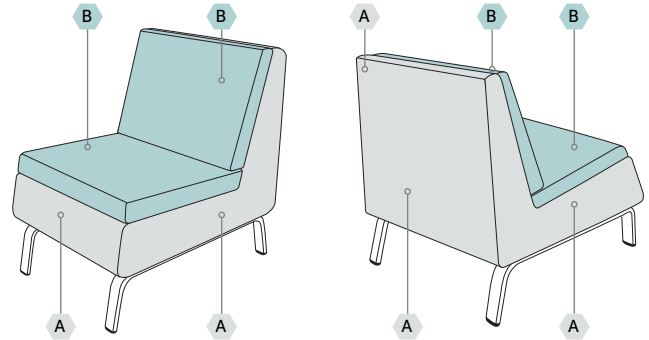
12" & 15" ARMLESS CHAIR

A Arms B Back



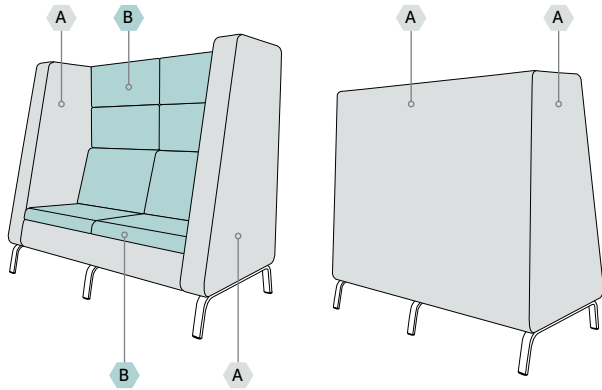
18" ARMLESS CHAIR

A Back, Base
B Seat and Back Cushion



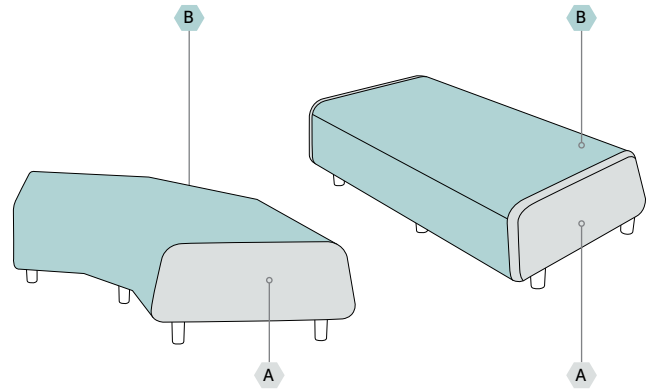
HIGH-BACK SOFA

A Arms, Back, Base
B Seat, Lower back,
Upper back cushions



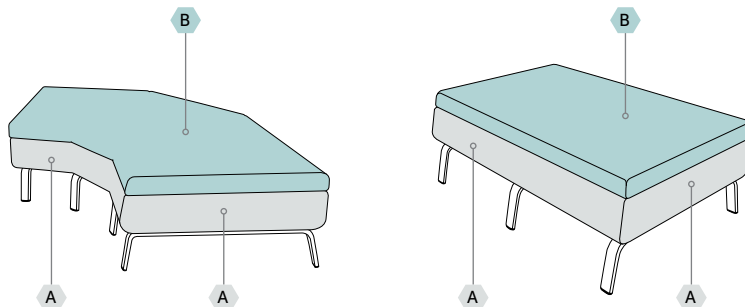
12" & 15" STRAIGHT 60° & 90° BENCHES

A Sides
B Top, Front, Back

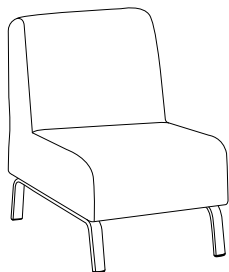


18" STRAIGHT, 60° & 90° BENCHES

A Sides B Top, Front & Back

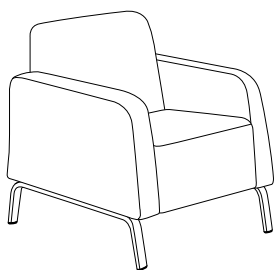


MODEL NUMBERS & PRODUCT SPECS



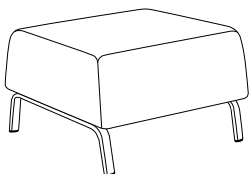
MOTIV 1.0 - 18" H ARMLESS CHAIR

Model #	Width (in)	Depth (in)	Overall Height (in)	Weight (lbs)	Freight Class (Qty 1)
EDUMS300	23	32	34	65	250
EDUMS300PR (Power Right)	23	32	34	65	250
EDUMS300PL (Power Left)	23	32	34	65	250
EDUMB600 (Casters on Front 2 Legs)	23	32	34	65	250



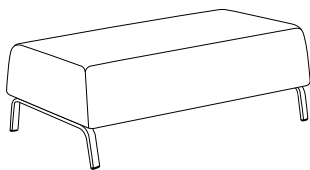
MOTIV 1.0 - 18" H ARM CHAIR

Model #	Width (in)	Depth (in)	Overall Height (in)	Weight (lbs)	Freight Class (Qty 1)
EDUMS350	32	32	34	100	250
EDUMS350PR (Power Right)	32	32	34	105	250
EDUMS350PL (Power Left)	32	32	34	105	250



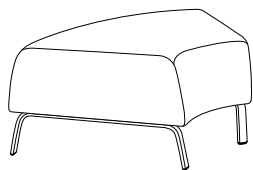
MOTIV 1.0 - 18" H SINGLE BENCH

Model #	Width (in)	Depth (in)	Overall Height (in)	Weight (lbs)	Freight Class (Qty 1)
EDUMDB400	23	32	18	50	150



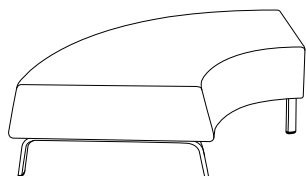
MOTIV 1.0 - 18" H DOUBLE BENCH

Model #	Width (in)	Depth (in)	Overall Height (in)	Weight (lbs)	Freight Class (Qty 1)
EDUMDB600	58	32	18	85	150



MOTIV 1.0 - 18" H 60° BENCH

Model #	Width (in)	Depth (in)	Overall Height (in)	Weight (lbs)	Freight Class (Qty 1)
EDUMDB660	48	32	18	95	150

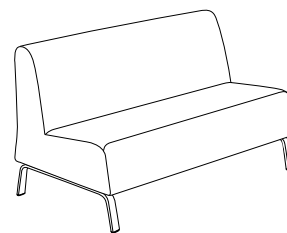


MOTIV 1.0 - 18" H 90° BENCH

Model #	Width (in)	Depth (in)	Overall Height (in)	Weight (lbs)	Freight Class (Qty 1)
EDUMDB690	71	32	18	110	150

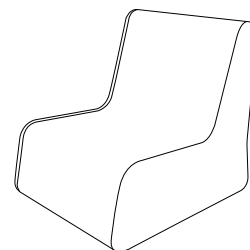
MOTIV 1.0 - 18"H 2 SEAT ARMLESS SOFA

Model #	Width (in)	Depth (in)	Overall Height (in)	Weight (lbs)	Freight Class (Qty 1)
EDUML400	58	32	34	145	250
EDUML400P (Power)	58	32	34	155	250



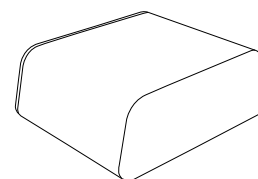
MOTIV 2.0 - 12"H SINGLE CHAIR

Model #	Width (in)	Depth (in)	Overall Height (in)	Weight (lbs)	Freight Class (Qty 1)
MTV10LB12	24	28	27	50	250



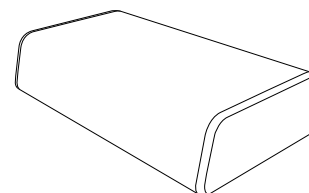
MOTIV 2.0 - 12"H SINGLE STRAIGHT BENCH

Model #	Width (in)	Depth (in)	Overall Height (in)	Weight (lbs)	Freight Class (Qty 1)
MTV10BH12	24	29	12	40	150
MTV10BW12 (W/Top)	24	29	13	40	150



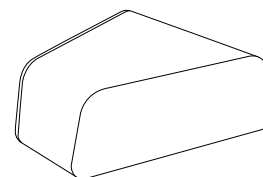
MOTIV 2.0 - 12"H DOUBLE STRAIGHT BENCH

Model #	Width (in)	Depth (in)	Overall Height (in)	Weight (lbs)	Freight Class (Qty 1)
MTV20BH12	48	29	12	60	150



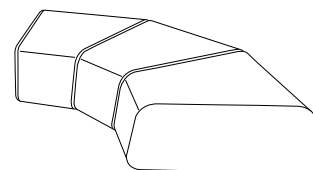
MOTIV 2.0 - 12"H 30° SINGLE BENCH

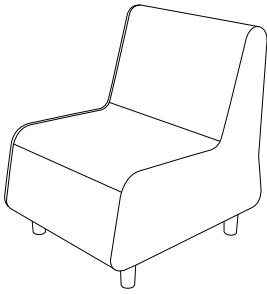
Model #	Width (in)	Depth (in)	Overall Height (in)	Weight (lbs)	Freight Class (Qty 1)
MTV13BH12	26	28	12	40	150
MTV13BW12 (W/Top)	26	28	13	50	150



MOTIV 2.0 - 12"H 90° DOUBLE BENCH

Model #	Width (in)	Depth (in)	Overall Height (in)	Weight (lbs)	Freight Class (Qty 1)
MTV29BH12	70	33	12	120	150

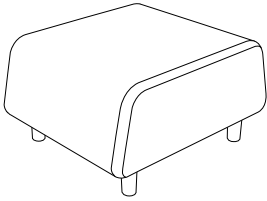




MOTIV 2.0 - 15"H SINGLE CHAIR

Model #	Width (in)	Depth (in)	Overall Height (in)	Weight (lbs)	Freight Class (Qty 1)
MTV10LB15	24	28	30	50	250
MTV10LB15-PF (Power Front)	24	28	30	50	250
MTV10LB15C (Casters)	24	28	30	50	250
MTV10LB15C-PF (Casters +Power Front)	24	28	30	50	250

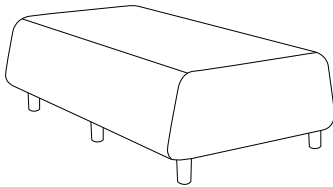
(Models with casters come with casters on 2 legs only)



MOTIV 2.0 - 15"H SINGLE BENCH

Model #	Width (in)	Depth (in)	Overall Height (in)	Weight (lbs)	Freight Class (Qty 1)
MTV10BH15	24	29	15	40	150
MTV10BH15C (Casters)	24	29	15	40	150
MTV10BW15 (W/Top)	24	29	16	50	150
MTV10BW15C (Casters + Top)	24	29	16	50	150

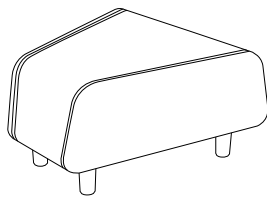
(Models with casters come with casters on 2 legs only)



MOTIV 2.0 - 15"H DOUBLE BENCH

Model #	Width (in)	Depth (in)	Overall Height (in)	Weight (lbs)	Freight Class (Qty 1)
MTV20BH15	48	29	15	60	150
MTV20BH15C (Casters)	48	29	15	60	150

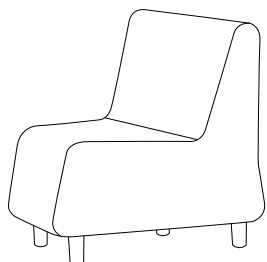
(Models with casters come with casters on 2 legs only)



MOTIV 2.0 - 15"H 30° SINGLE BENCH

Model #	Width (in)	Depth (in)	Overall Height (in)	Weight (lbs)	Freight Class (Qty 1)
MTV13BH15	26	28	15	40	150
MTV13BW15 (W/Top)	26	28	16	50	150
MTV13BH15C (Casters)	26	28	15	40	150
MTV13BW15C (Casters + Top)	26	28	16	50	150

(Models with casters come with casters on 2 legs only)



MOTIV 2.0 - 15"H 30° SINGLE BENCH W/BACK

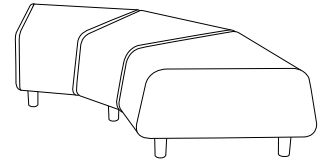
Model #	Width (in)	Depth (in)	Overall Height (in)	Weight (lbs)	Freight Class (Qty 1)
MTV13LB15	26	28	30	50	250
MTV13LB15C (W/ Casters)	26	28	30	50	250

(Models with casters come with casters on 2 legs only)

MOTIV 2.0 - 15"H 90° DOUBLE BENCH

Model #	Width (in)	Depth (in)	Overall Height (in)	Weight (lbs)	Freight Class (Qty 1)
MTV29BH15	70	33	15	120	150
MTV29BH15C (Casters)	70	33	15	120	150

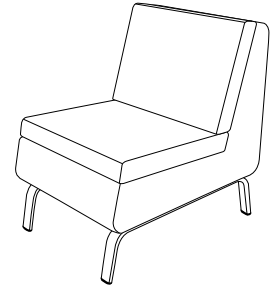
(Models with casters come with casters on 2 legs only)



MOTIV 2.0 - 18"H SINGLE CHAIR

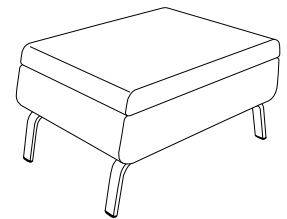
Model #	Width (in)	Depth (in)	Overall Height (in)	Weight (lbs)	Freight Class (Qty 1)
MTV10LB18	24	32	33	80	250
MTV10LB18C (Casters)	24	32	33	80	250
MTV10LB18-PF (W/Power Front)	24	32	33	80	250
MTV10LB18C-PF (W/Casters & Power Front)	24	32	33	80	250

(Models with casters come with casters on 2 legs only)



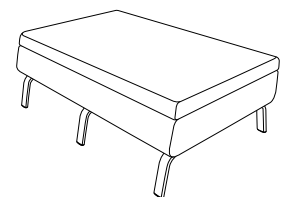
MOTIV 2.0 - 18"H SINGLE BENCH

Model #	Width (in)	Depth (in)	Overall Height (in)	Weight (lbs)	Freight Class (Qty 1)
MTV10BH18	22	31	18	60	150
MTV10BW18 (W/Top)	22	31	19	70	150



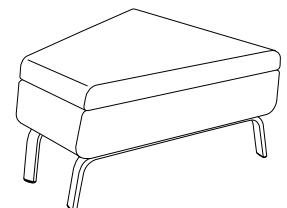
MOTIV 2.0 - 18"H DOUBLE BENCH

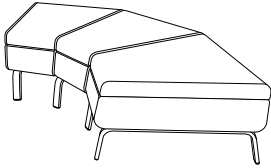
Model #	Width (in)	Depth (in)	Overall Height (in)	Weight (lbs)	Freight Class (Qty 1)
MTV20BH18	48	31	18	90	150



MOTIV 2.0 - 18"H 30° SINGLE BENCH

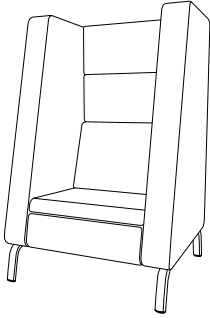
Model #	Width (in)	Depth (in)	Overall Height (in)	Weight (lbs)	Freight Class (Qty 1)
MTV13BH18	30	30	18	60	150
MTV13BW18 (W/Top)	30	30	19	70	150





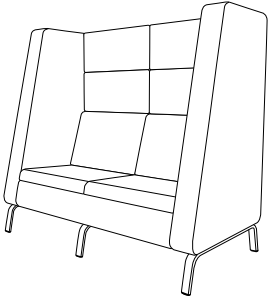
MOTIV 2.0 - 18" H 90° DOUBLE BENCH

Model #	Width (in)	Depth (in)	Overall Height (in)	Weight (lbs)	Freight Class (Qty 1)
MTV29BH18	78	37	18	170	150



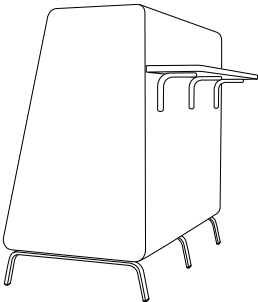
MOTIV 2.0 - 18" H SINGLE HIGH-BACK ARMED CHAIR

Model #	Width (in)	Depth (in)	Overall Height (in)	Weight (lbs)	Freight Class (Qty 1)
MTV10HA18	37	32	57	200	250
MTV10HA18-PF (W/Power Front)	37	32	57	200	250



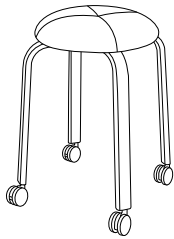
MOTIV 2.0 - 18" H DOUBLE HIGH-BACK ARMED SOFA

Model #	Width (in)	Depth (in)	Overall Height (in)	Weight (lbs)	Freight Class (Qty 1)
MTV20HA18	63	32	57	290	250
MTV20HA18-PF (W/Power Front)	63	32	57	290	250



MOTIV 2.0 - 18" H DOUBLE HIGH-BACK ARMED SOFA W/ SHELF

Model #	Width (in)	Depth (in)	Overall Height (in)	Weight (lbs)	Freight Class (Qty 1)
MTV20HA18L (29" Shelf)	63	42	57	300	250
MTV20HA18L-PF (29" Shelf W/Power Front)	63	42	57	300	250
MTV20HA18L-PA (29" Shelf W/Power Front & Rear)	63	42	57	300	250
MTV20HA18H (45" Shelf)	63	42	57	300	250
MTV20HA18H-PF (45" Shelf W/Power Front)	63	42	57	300	250
MTV20HA18H-PA (45" Shelf W/Power Front & Rear)	63	42	57	300	250



MOTIV STOOL

Model #	Width (in)	Depth (in)	Overall Height (in)	Weight (lbs)	Freight Class (Qty 1)
EDUMSKL (Glides)	22	22	15	30	250
EDUMSKH (Glides)	22	22	20	30	250
EDUMSKLC (Casters)	22	22	15	30	250
EDUMSKHC (Casters)	22	22	20	30	250