

ASSEMBLY INSTRUCTIONS

CASCADE™ RISER SHELF

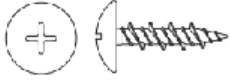
CASCADE RISER SHELF

AVAILABLE OPTION FOR CASCADE™ CASES OR CABINETS.

(NOT APPLICABLE TO CASCADE™ TOWERS).



HARDWARE AND COMPONENTS



#10X5/8" Wood Screws
P/N – 70080
QTY. 16



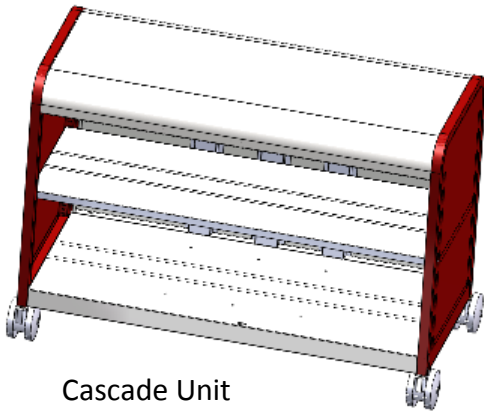
Hex Head Bolt
QTY. 4



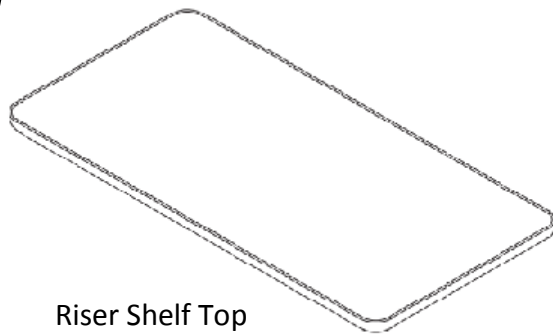
Steel Washer
QTY. 4



Cascade Riser Handles
QTY. 4



Cascade Unit
QTY. 1



Riser Shelf Top
Qty. 1

CASCADE™ RISER SHELF REPLACEMENT HARDWARE PACK

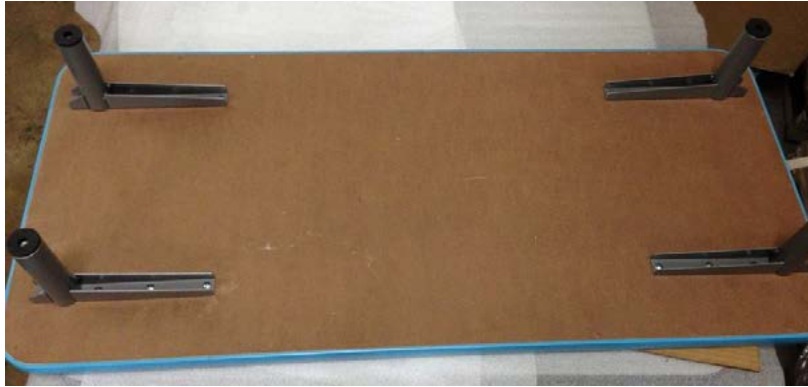
[1] 69725 ZINC-R HARDWARE PACK, CASCADE RISER

QTY 16	#70080 -WOOD SCREW
QTY 4	3/8 - 16 X 1.25 HEX HEAD BOLTS
QTY 4	STEEL WASHERS
QTY 16	#70054 - #10 X 3/4" WOOD SCREW HI/LO PTH

ASSEMBLY INSTRUCTIONS

STEP 1: Flip the laminated top face down, so that the pre-drilled holes face up.

STEP 2: Align the pole handles with the predrilled holes as shown and screw to the top using the (x16) wood screws provided.

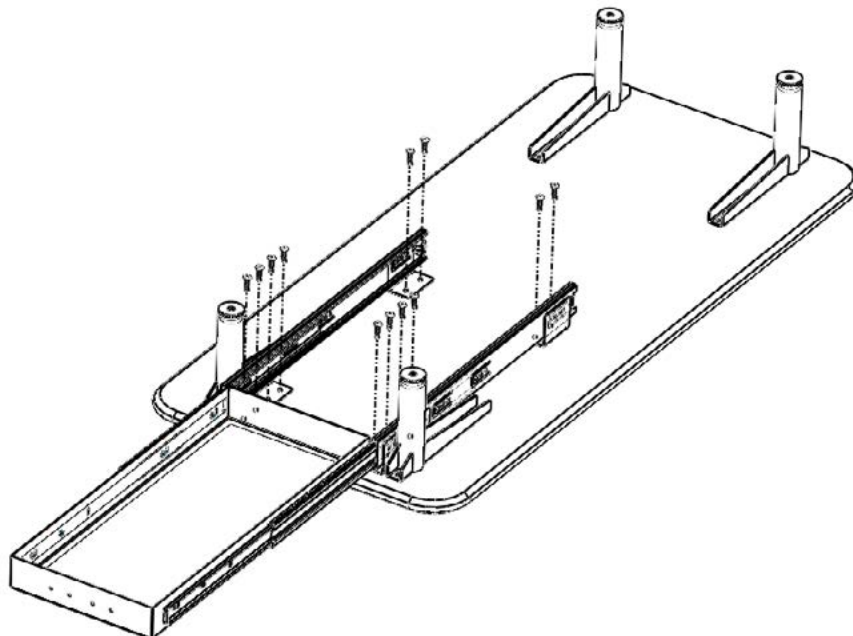


NOTE: Step #3 is for Cascade™ Cabinets/Cases with optional Laptop Shelf #17670.

STEP 3: If your Cascade™ Cabinet or Case was ordered with a #17670 Laptop Shelf, attach now:

STEP 3a: Place the laptop shelf on the bottom of the riser shelf. The shelf can be placed in any orientation as long as there is clearance for the shelf to extend forward.

STEP 3b: Once the shelf is positioned as desired; fasten the shelf to the table top with the provided wood screws as shown below.



ASSEMBLY INSTRUCTIONS

STEP 4: Flip the top with pole handles attached (entire assembly) into the upright position and align on the Cascade™ unit.



STEP 4: Using a Ratchet and socket or wrench, bolt in the Riser Shelf top and Poles to the Cascade™ unit with the Washer plate placed on the underside (interior) of the Cascade™ as shown below.

