



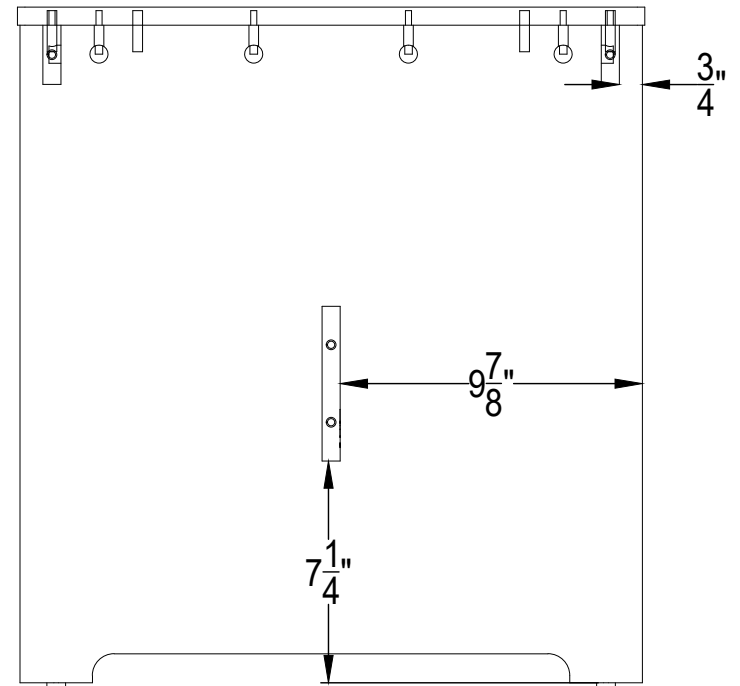
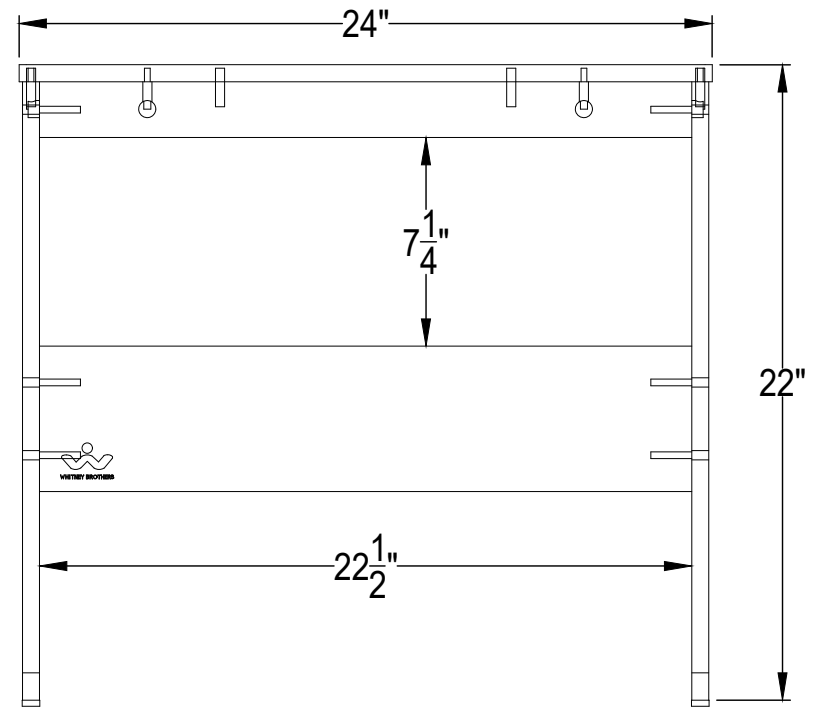
WHITNEY BROTHERS
EDUCATIONAL FURNITURE FOR CHILDREN

WB1290

0

PREPARED PLACE™ TABLE

15MM BALTIC BIRCH PLYWOOD
DOWEL AND SCREW
CONSTRUCTION
R.T.A
STAMPED WHITNEY
MODULAR JOINING FROM BOTH
ENDS
CAM LOCKED TOP
GLIDES



WB1290

PREPARED PLACE™

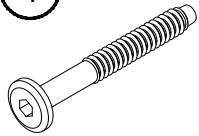
TABLE

PACKING LIST

| REF | QTY | DESCRIPTION |
|-----|-----|----------------------|
| 1 | 8 | CONFIRMAT SCREWS |
| 2 | 12 | CAM POSTS |
| 3 | 12 | CAM LOCKS |
| 4 | 1 | 4MM HEX ALLEN WRENCH |

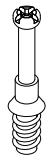
HARDWARE & TOOLS REQUIRED

1



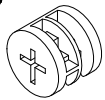
CONFIRMAT SCREW

2



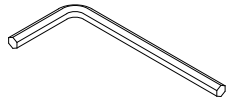
CAM POST

3

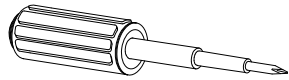


CAM LOCK

4



4MM HEX ALLEN WRENCH



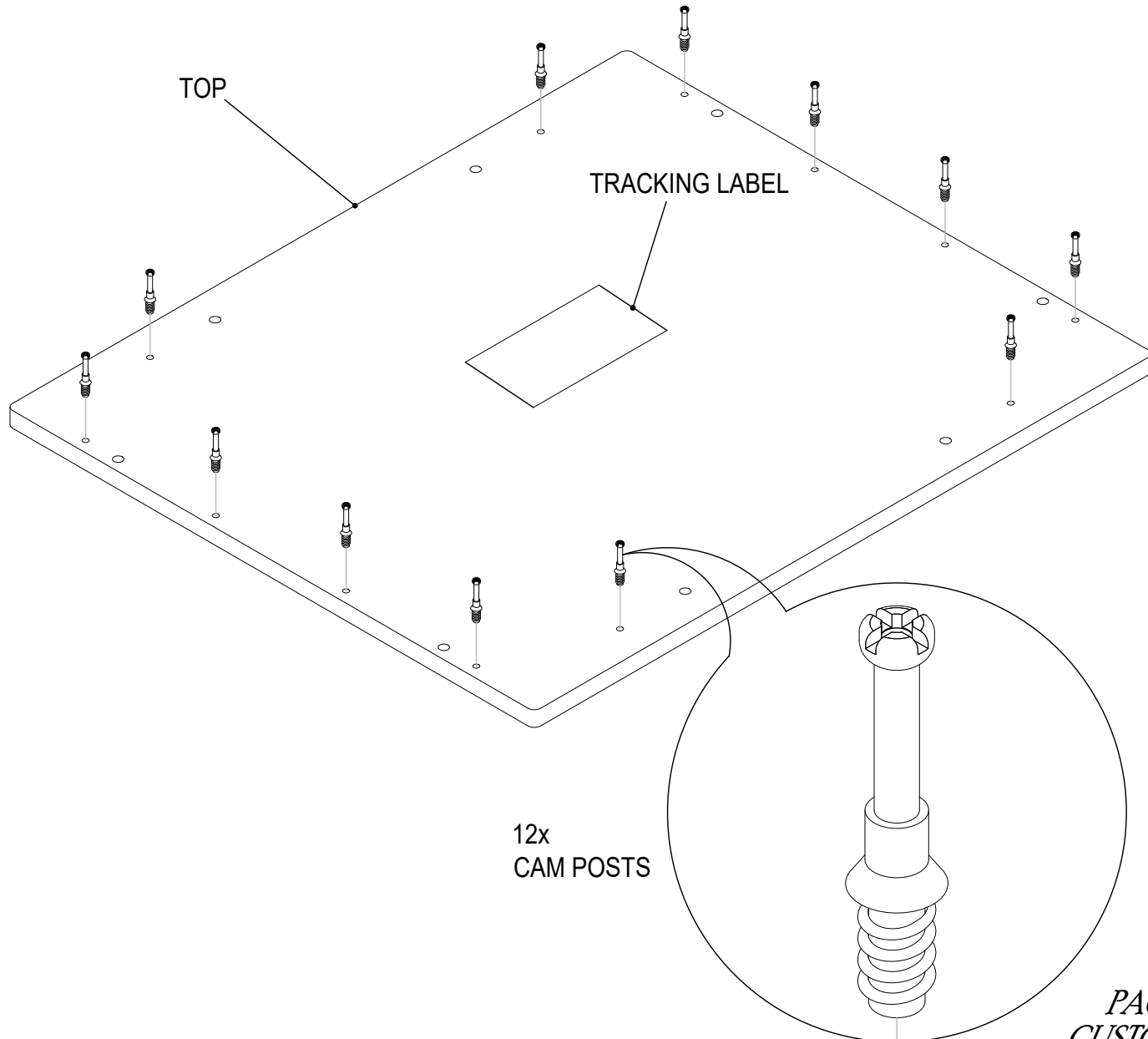
SCREW DRIVER NOT PROVIDED

WARNING: ADULT ASSEMBLY REQUIRED

This product contains hardware that before assembled, can pose a choking hazard to children under the age of 3 years. Care should be taken when unpacking and assembly of this product.

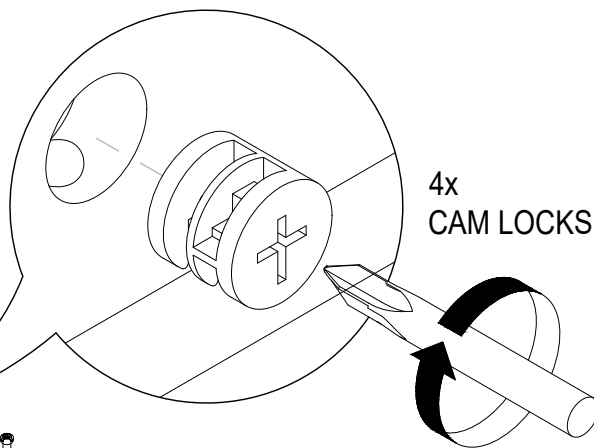
TIPS BEFORE YOU START

1. Read and study all the assembly instructions and illustrations before starting to assemble.
2. Open the hardware pack, sort and identify the different fasteners you will be using.
3. Follow each step in order and make sure all fasteners are tightened when finished.
4. **DO NOT USE POWER DRIVERS.** It is easy to over tighten or strip the fasteners with power tools.



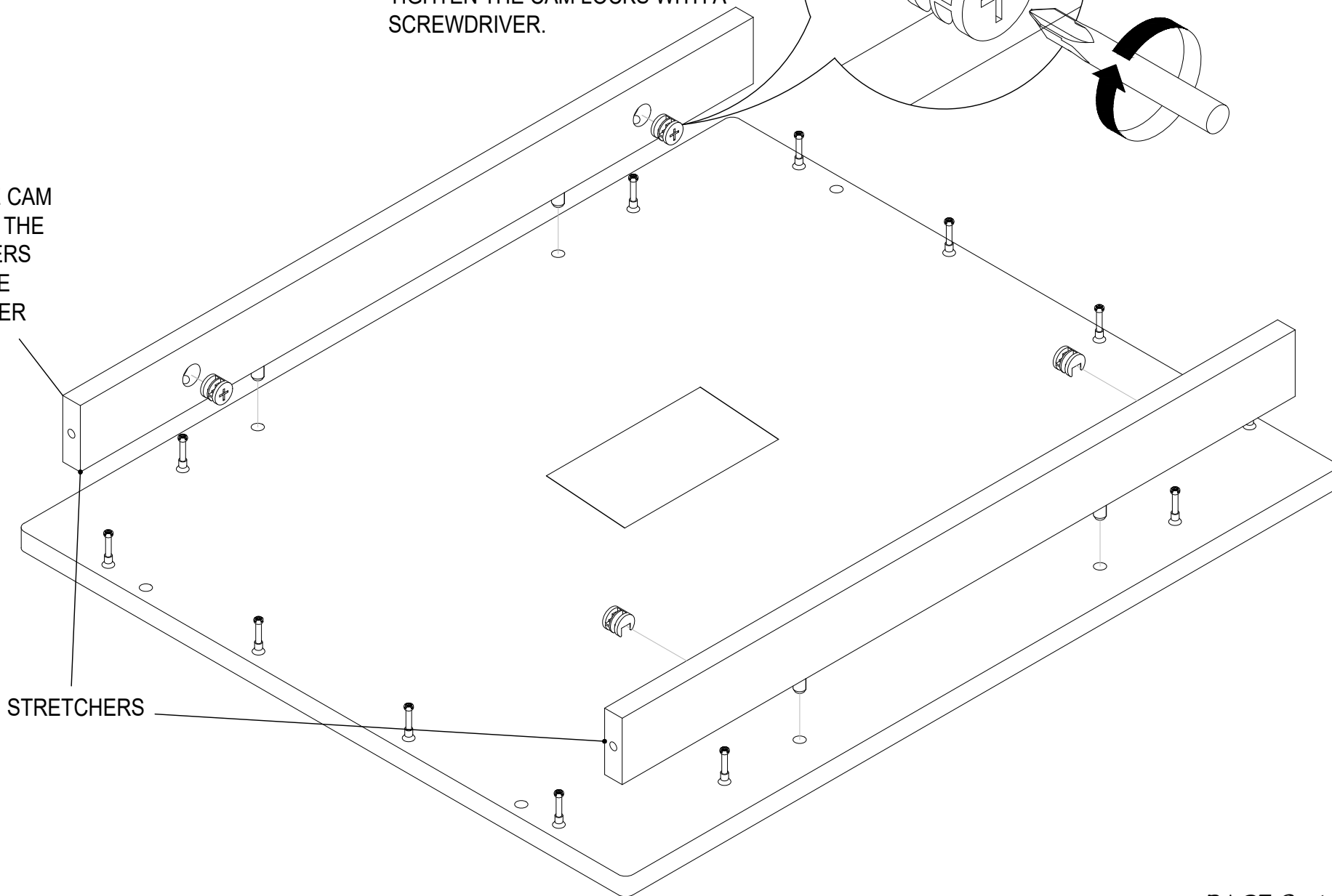
WB1290 PREPARED PLACE™ TABLE

INSERT CAM LOCKS INTO
STRETCHERS WITH THE ARROW OF
THE CAM FACING THE EDGE OF THE
STRETCHER. PLACE STRETCHER INTO
POSITION ATOP THE POSTS AND
TIGHTEN THE CAM LOCKS WITH A
SCREWDRIVER.



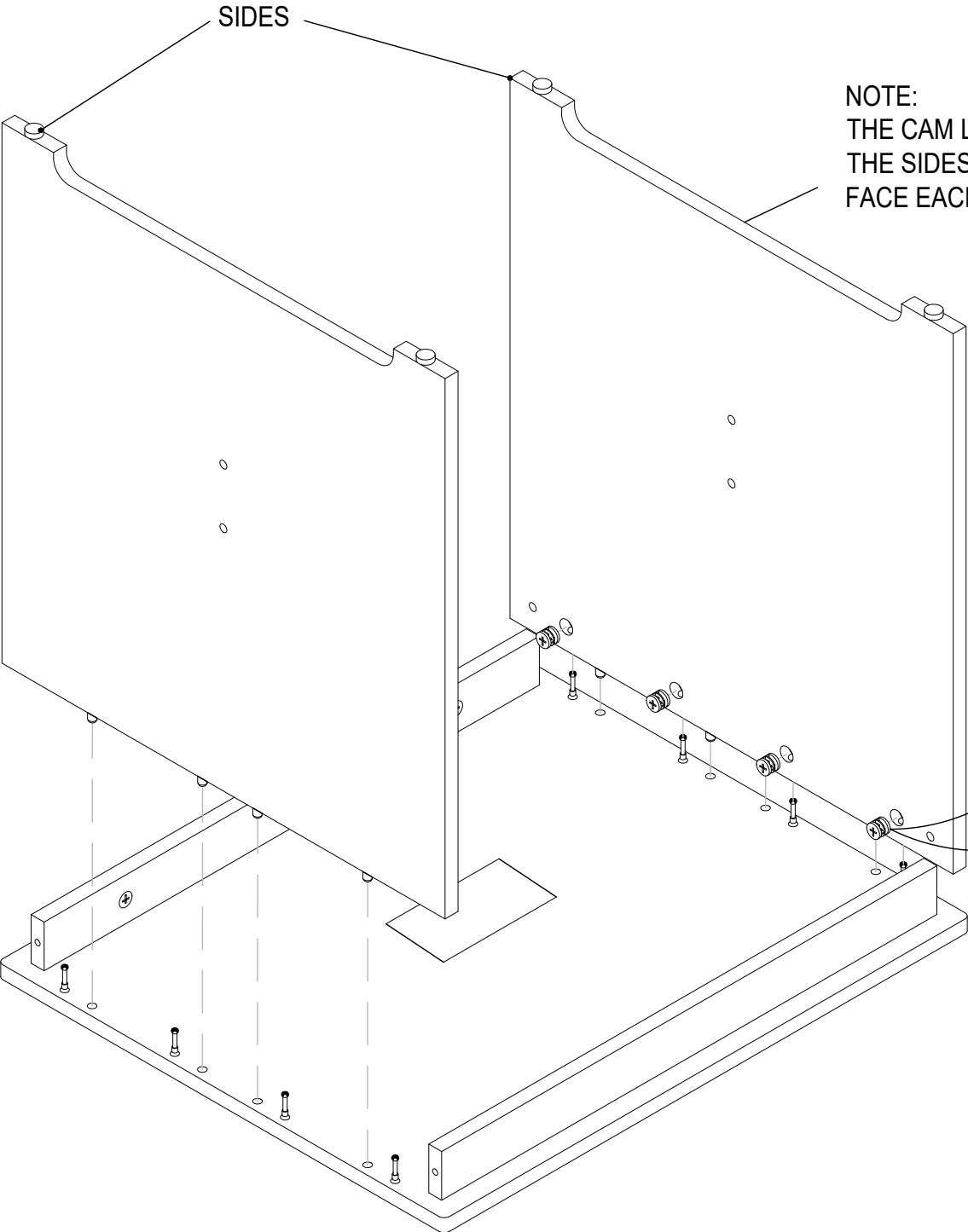
4x
CAM LOCKS

NOTE: THE CAM
LOCKS ON THE
STRETCHERS
MUST FACE
EACH OTHER



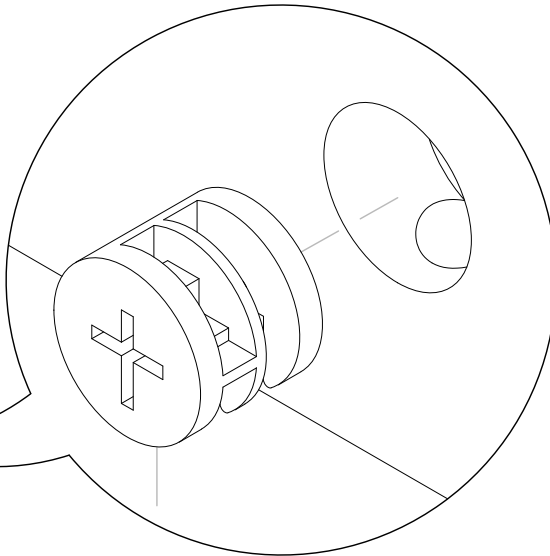
STRETCHERS

WB1290 PREPARED PLACE™ TABLE

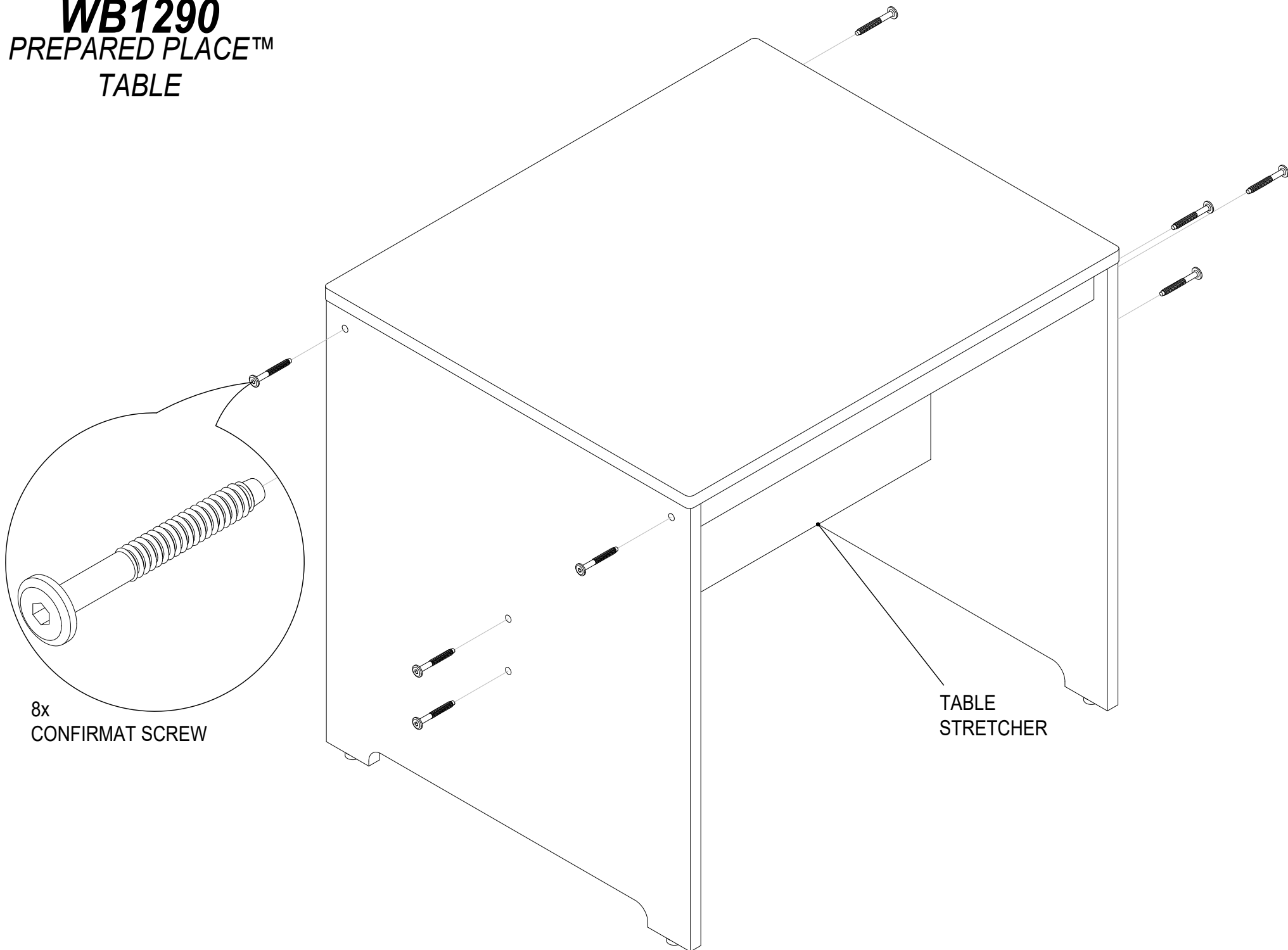


NOTE:
THE CAM LOCKS ON
THE SIDES MUST
FACE EACH OTHER

8x
CAM LOCKS



WB1290 PREPARED PLACE™ TABLE



8x
CONFIRMAT SCREW

TABLE
STRETCHER